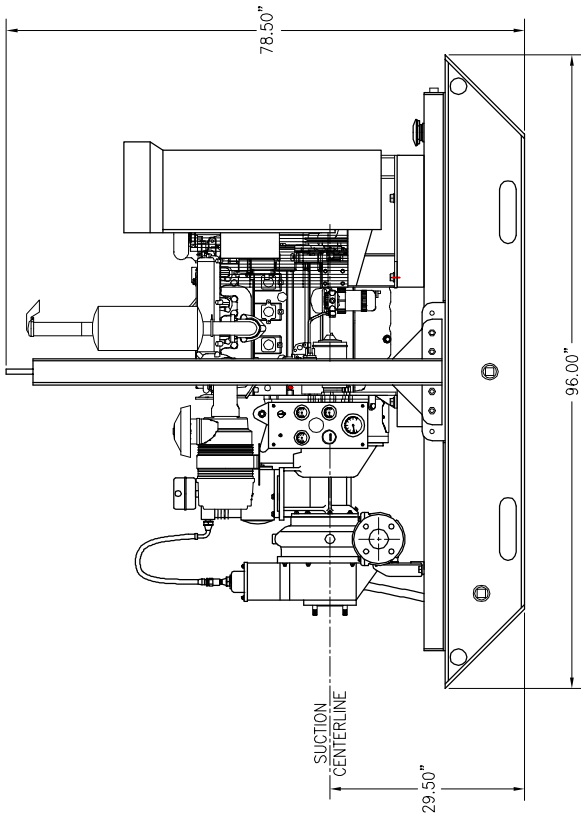
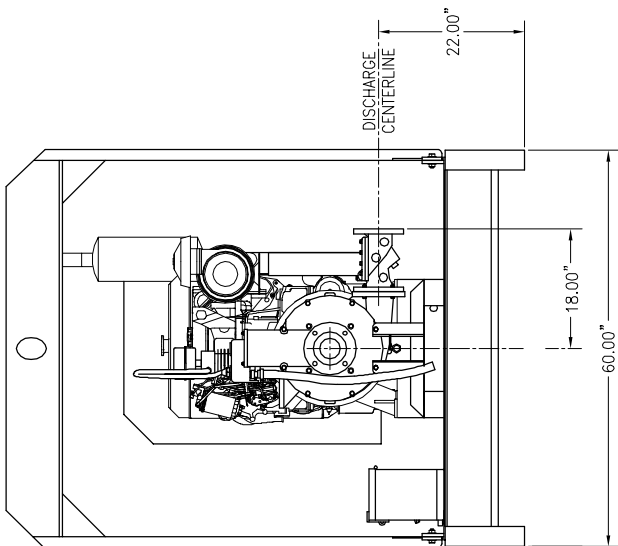


REVNO.	CHANGED TITLE BLOCK AND FILE NUMBER	DESCRIPTION	PRECEDING DWG.	BY	DATE
1			000988P	RAR	03/02/04

SUCTION = 3" - 150LB. FLANGE
DISCHARGE = 3" 150LB. FLANGE
FUEL TANK CAPACITY = 120 GALLONS



SIDE VIEW



END VIEW

DATE:	09/13/00
SCALE:	NTS
DESIGNER:	
CHECKED:	
DRAWN:	RAR

ALL INFORMATION CONTAINED IN OR
REVEALED BY THIS DOCUMENT IS
CONSIDERED CONFIDENTIAL AND
PROPERTY OF POWER PRIME PUMPS.
ALL REPRODUCTIONS OF THIS INFORMATION
AND REPRODUCTION OF THE DOCUMENT
AND ALL SALES RIGHTS ARE EXCLUSIVELY
RESERVED BY AND TO POWER PRIME
PUMPS AND COMMERCIAL USE OF THIS
INFORMATION TO OTHERS IS PROHIBITED
WITHOUT THE WRITTEN CONSENT OF
POWER PRIME PUMPS.

POWER PRIME PUMPS
3404 State Road, PO Box 2248
Bakersfield, CA 93303

CONCEPTUAL DRAWING
INDUSTRIAL PUMP

HH-80
SK-120/PERKINS 1004C.44

1	1
304061	3031217