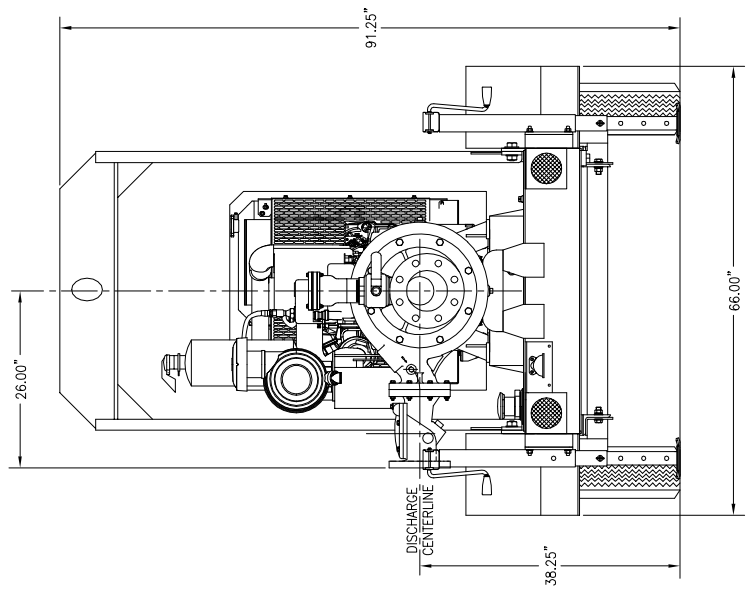
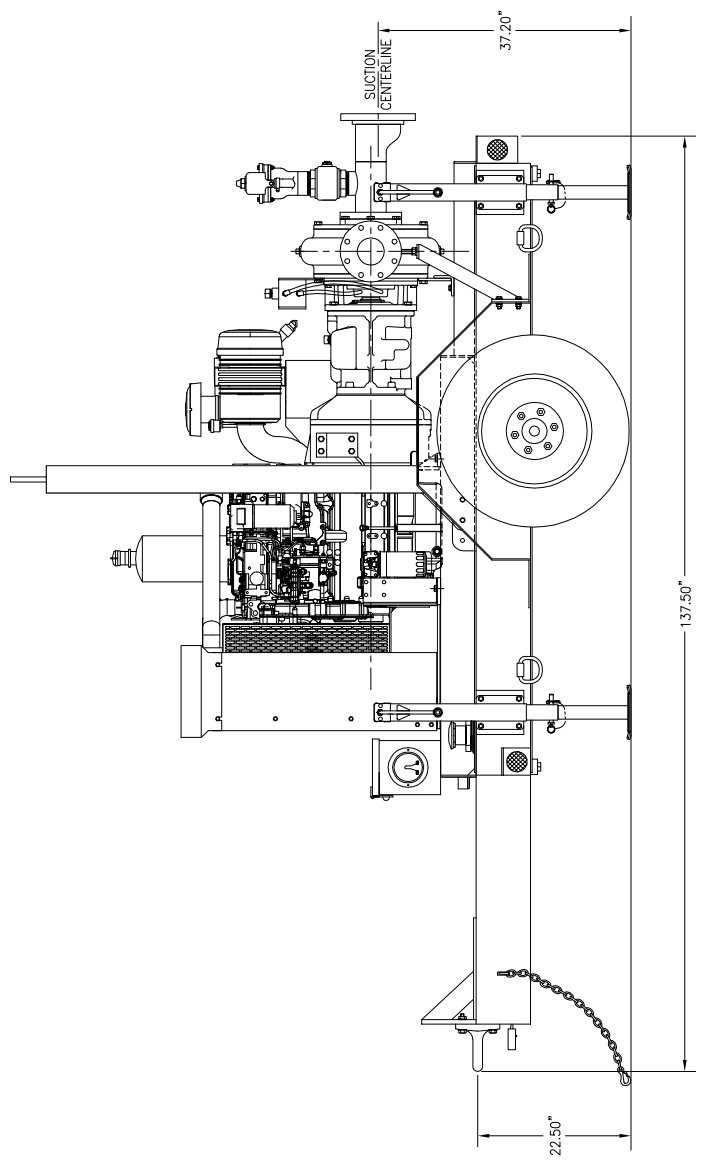


REV. NO.	DESCRIPTION	BY	DATE

SUCTION = 6" - 150LB. FLANGE
DISCHARGE = 4" 150LB. FLANGE
SHIPPING WEIGHT - 4300LBS. (EMPTY FUEL TANK WEIGHT
FUEL TANK CAPACITY = 120 GALLONS



REAR VIEW



SIDE VIEW

DATE:	9/28/05
SCALE:	NTS
DESIGNED:	
CHECKED:	
DRAWN:	RAR
SHEET NO.	D

ALL INFORMATION CONTAINED IN OR REFERENCED BY THIS DOCUMENT IS CONSIDERED CONFIDENTIAL AND PROPRIETARY TO POWER PRIME PUMPS. ALL DISCLOSURES OF DESIGN INFORMATION AND REPRODUCTION OF THIS DOCUMENT AND ALL SALES RIGHTS ARE EXCLUSIVELY RESERVED BY AND TO POWER PRIME PUMPS AND COMMUNICATION OF THIS INFORMATION IN OTHER IS PROHIBITED WITHOUT THE PRIOR WRITTEN CONSENT OF POWER PRIME PUMPS.

POWER PRIME PUMPS
3404 State Road, PO Box 2248
Bakersfield, CA 93302

CONCEPTUAL DRAWING
INDUSTRIAL PUMP

HH-125c
GP--120/PERKINS 1104C-44TA

1	SHEET 1
3050987	DRAWING NUMBER
3050902	JOB NUMBER