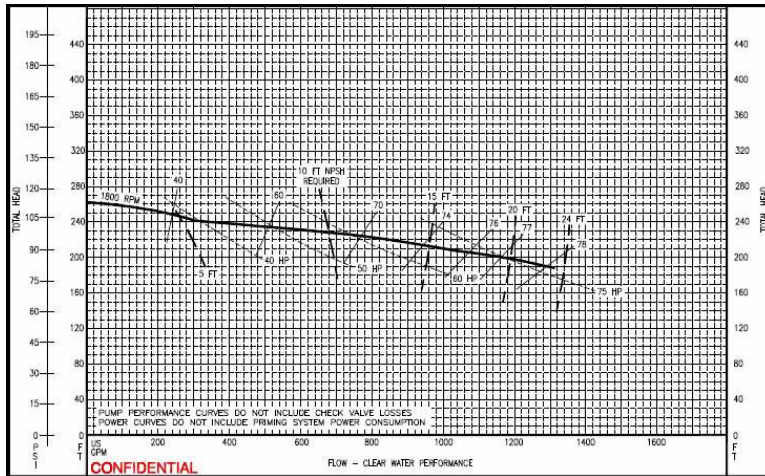


HH-125C-E Technical Specifications

Production Curve



Performance Specs

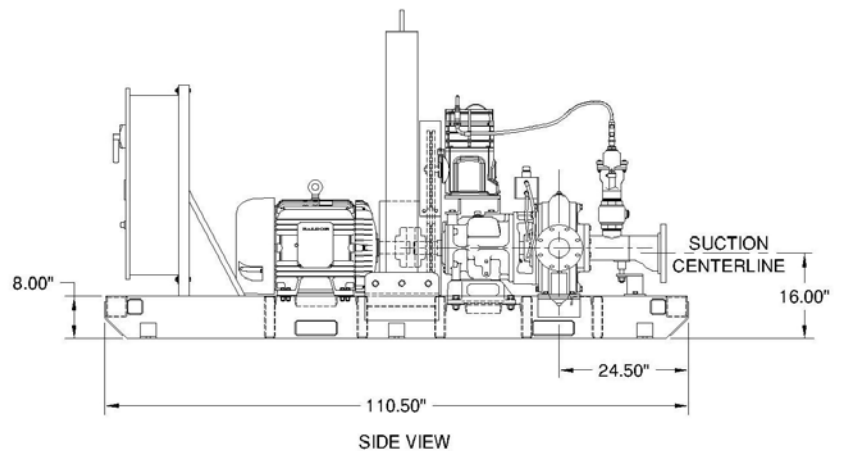
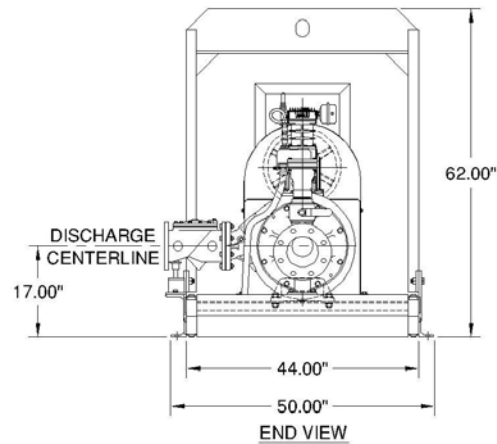
STANDARD 2 VANE NON-CLOG IMPELLER

Maximum Operating Speed:	1775 rpm
Maximum Head:	260 ft.
Maximum Flow:	1310 gpm

Design Details

Pump Designation:	HH-125C-E
Pump Description:	Centrifugal end suction pump, single stage, volute type, 2 vane non-clog impeller
Solid Handling Size:	3 inch (80mm)
Operating Temperature	MIN: -4°F (-20°C) MAX: +212°F (+100°C)

Dimensions



POWER PRIME™ PUMPS

P.O. Box 2248
Bakersfield CA 93303
800 647-7246
661-399-9058
FAX 661•399-3374
www.powerprime.com
sales @ powerprime.com

Power Prime™ is a registered trademark of Western Oilfields Supply Company. Features and Specifications are subject to change without notice.